

Tomey Data Communication

1. Check Point
1. Possibility of Data Communication
 2. Way for Data Communication.
 3. Purpose of Data Communication (Receiving/Sending)
 4. Communicated data (Receiving/Sending)
 5. Data Style.

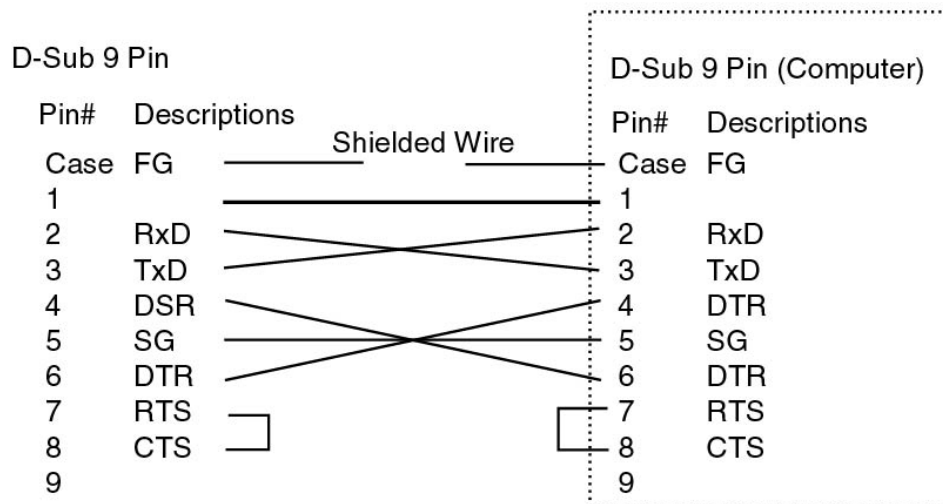
I will show above 5 point for each unit.

2. RS-232C cable.

You need RS-232C cable when you try to connect Tomey products with your PC.

This is a descriptions of required cable.

Cable



Note:

For connecting to external computers and other peripherals, above cable is necessary.

For data export to external computers, please use Hyperterminal for communicating.

3. Software

When you connect Tomey product with your PC, you need a software which can read ASCII code comes through RS-232C cable.

Auto Lens Meter TL-100/2000/2000A/3000/3000A

| | TL-100 | TL-2000 | TL-3000 | TL-2000A | TL-3000A |
|---|--|---|----------|--|----------|
| Possibility of Data Communication. | Impossible | Possible | Possible | Possible | Possible |
| Way for Data Communication. | None | RS-232C | | | |
| Purpose of Data Communication (Receiving) | --- | It is impossible to receive any data. | | | |
| Purpose of Data Communication (Sending) | --- | To save customer's data on PC. | | | |
| Receiving Data. | --- | | | | |
| Sending Data | --- | ID.SPH.CYL.AXIS.ADD1.ADD2.PX.PY. | | ID.SPH.CYL.AXIS.ADD1.ADD2.PX.PY LPD.RPD | |
| Data Style. | --- | ASCII Code | | | |
| Remarks. | There is a description of "OUTPUT" in P4 unit. | Software which can receive ASCII Code is required. (HyperTerminal etc.) | | | |

Auto Ref TR-3000/4000 Auto RefKerato RC-3000/4000

| | TR-3000/4000 | RC-3000/4000 |
|---|---|---|
| Possibility of Data Communication. | Possible | Possible |
| Way for Data Communication. | RS-232C | RC-232C |
| Purpose of Data Communication (Receiving) | It is impossible to receive any data. | |
| Purpose of Data Communication (Sending) | To save customer's data on PC. | |
| Receiving Data. | None. | |
| Sending Data | ID.SPH.CYL.AXIS.PD. | ID.SPH.CYL.AXIS.K1/K2(D and mm display)K- average Axis/Cyl-forK . |
| Data Style. | ASCII Code | ASCII Code |
| Remarks. | Software which can receive ASCII Code is required. (HyperTerminal etc.) These data is emitted when you push Print button. Output representative value only. | Software which can receive ASCII Code is required. (HyperTerminal etc.) These data is emitted when you push Print button. Output representative value only. |
| | Style of out put value is little bit different to compare TR-4000 with TR-3000. | |

Bio meter AL-2000

| | | |
|---|--|---|
| | AL-2000 | |
| Possibility of Data Communication. | Possible | |
| Way for Data Communication. | RS-232C | Memory Card |
| Purpose of Data Communication (Receiving) | IOL calculation | Reload of measurement data. |
| Purpose of Data Communication (Sending) | Display of measurement data | Save for reload of measurement data.. |
| Receiving Data. | PatientID. PatientName. AxialLength(R/L). ACD(R/L). K1/K2(R/L). | All measurement data. |
| Sending Data | All measurement data. But wave form is described as a value. | All measurement data. |
| Data Style. | ASCII Code | ASCII Code |
| Remarks. | Software which can receive ASCII Code is required. (HyperTerminal etc.) | Hard ware which can read Memory Card is required. It is impossible to edit any data inside of Memory card. |

Ultra sound image analyzer UD-1000/6000

| | UD-1000 | | UD-6000 | |
|---|--|---|---|---|
| Possibility of Data Communication | Possible. | | Possible. | |
| Way for Data Communication | RS-232C. Send only. | Memory Card | RS-232C | Memory Card |
| Purpose of Data Communication (Receiving) | None | Reload of measurement data. | IOL calculation | Reload of measurement data. |
| Purpose of Data Communication (Sending) | Display of measurement data on PC. | Save for reload of measurement data.. | Display of measurement data on PC. | Save for reload of measurement data.. |
| Receiving Data. | None | All data and picture (Echo or Jpeg style) but movie can not send. | PatientID 。 PatientName。 AxialLength(R/L) 。 ACD(R / L) 。 K1/K2(R / L) | All data and picture (Echo or Jpeg style) but movie can not send. |
| Sending Data | All data and picture (Echo or Jpeg style) but movie can not send. | All data and picture (Echo or Jpeg style) but movie can not send. | All data and picture (Echo or Jpeg style) but movie can not send. | All data and picture (Echo or Jpeg style) but movie can not send. |
| Data Style. | ASCII Code. Jpeg or Echo | ASCII Code。 Jpeg or Echo | ASCII Code。 Jpeg or Echo | ASCII Code。 Jpeg or Echo |
| Remarks. | Software which can receive ASCII Code is required. Echo is special format for UD. | Hard ware which can read Memory Card is required. | Software which can receive ASCII Code is required. | Hard ware which can read Memory Card is required. |

Corneal Topographer TMS-3 TMS-2N

| | TMS-3 | TMS-2N |
|---|--|---|
| Possibility of Data Communication. | Possible | Possible |
| Way for Data Communication. | It is depend on the system of PC which is connected to TMS-3. | LAN. RS-232C. |
| Purpose of Data Communication (Receiving) | Data save. Data check. | Data save. Data check. |
| Purpose of Data Communication (Sending) | Reload of measurement data. Saving data. Diagnosis of unit. | Reload of measurement data. Saving data. Diagnosis of unit. |
| Receiving Data. | All data which is taken by older version than TMS-3. | All data which is taken by older version than TMS-2N |
| Sending Data | All data. | All data. |
| Data Style. | Special style (***.tms) | Special style (***.tms) |
| Remarks. | Software for TMS-3 can not read any data which are gotten by TMS-2N. | You have to activate LAN driver from "control panel" >> "system" >> "device manager" to do Lan communication. |