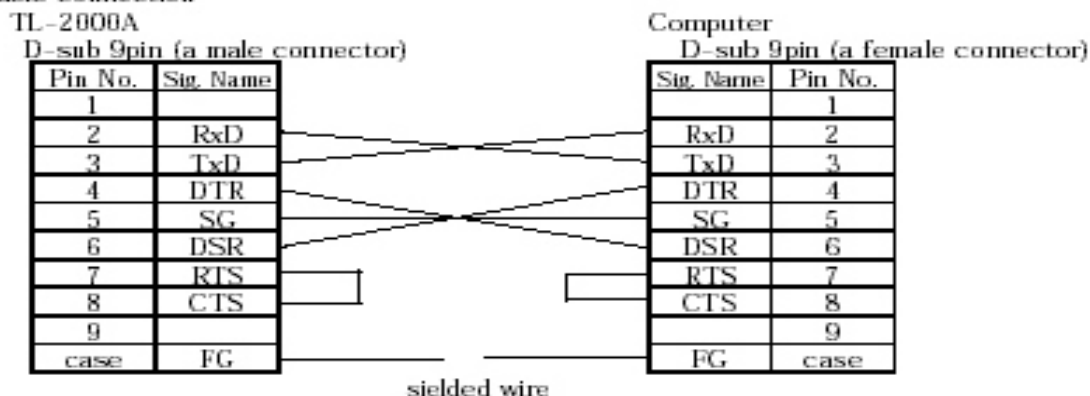


TL-2000A RS-232C Interface

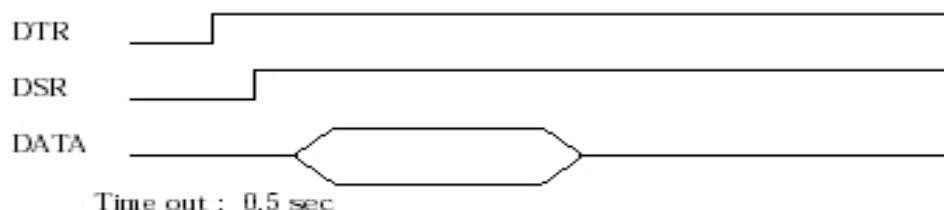
1. Specifications

- 1) Mode : Asynchronous transmission
- 2) Baud rate : 2400bps
- 3) Data bit length : Seven bits
- 4) Parity condition : Even
- 5) Stop bit length : one bit
- 6) Data code : Ascii

2. Cable connection



3. Communication sequence



4. Data format

