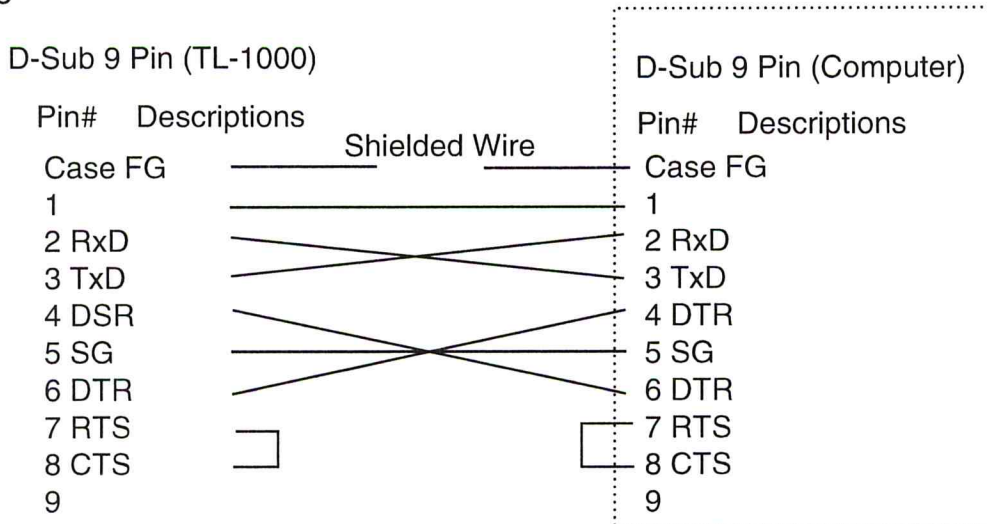


RS-232C Protocol and Data Format

1, Protocol

- a) System: Asynchronous
- b) Baud Rate: 38400
- c) Data Bit: 8
- d) Parity Check: Keine
- e) Stop Bit: 1 bit
- f) ~~Flow Control~~ Keine

2, Cable



Note:

For connecting to external computers and other peripherals, above cable is necessary.

For data export to external computers, please use Hyperterminal for communicating and Microsoft Excel to edit the data.